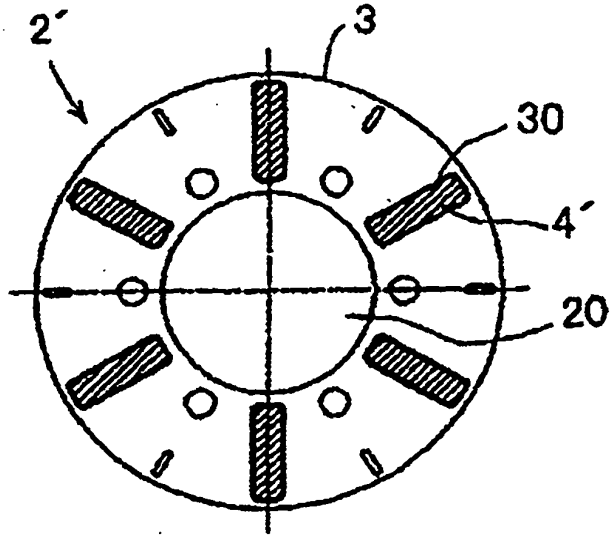


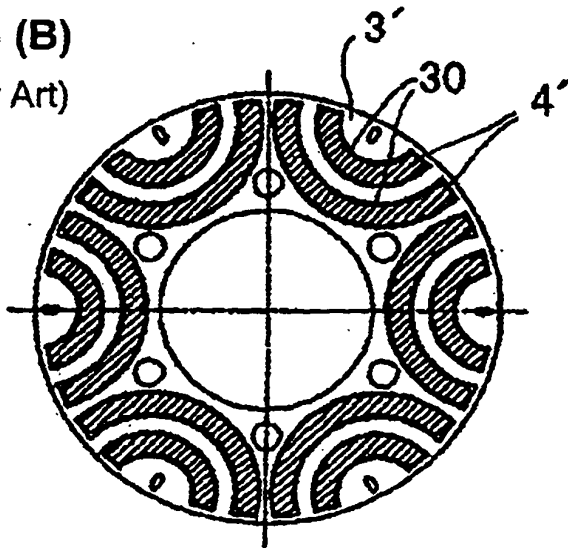


Approved by Examiner  
HNN 11/24/03

**Fig. 13 (A)**  
(Prior Art)



**Fig. 13 (B)**  
(Prior Art)





Approved by Examiner  
HNN 11/24/03

**Fig. 14**  
(Prior Art)

